

5611 - Assist Chin Up/Dip

ITEM	QTY	PART NO.	DESCRIPTION
1	1	01291	Upper Arm Subassembly
2	1	5345-003	Lever Assembly
3	1	01297	Arm Subassembly
4	1	01293	Step Assembly
5	2	01155	Guide Rod Collar
6	1	01182	Pulley Mount
7	4	PN60201	Hole Plug
8	2	4107M066	Weight Stack Guide Rod
9	10	8640-330	Spiral Pin 10 MM x 90 MM
10	2	PR060005	Weight Bumper
11	2	GP000000	Pulley Assembly
12	4	GP000004	Pulley Spacer
13	2	GP000203	Pulley Center
14	2	HC700415	BHSCS 375-16 x 75
15	2	HN704000	Hex Nut .375-16
16	2	HS948300	Split Lockwasher .375
17	2	HC700414	BHSCS 375-16 x 625
18	2	JC702832	SHCS 50-13 x 2.75
19	2	JG782830	SHCS 50-13 x 2.50
20	1	IN734200	Jam Nut .438-14
21	1	IN734400	Plastic Cap .625 ID x .68 OD
22	2	PN602004	Hex Nut .50-13
23	13	HN784000	BHSCS 50-13 x 1.25
24	2	JC789420	Split Lockwasher .50
25	15	JS888300	SHCS 50-13 x 2.75
26	1	JR282632	SHCS 50-13 x 3.25
27	6	JC782836	Top Weight Assembly
28	1	01068	Flange Bearing
29	2	4700-019	Retaining Ring
30	2	BR002036	Rubber Cap
31	1	4700M0005	Spiral Pin .188 x 1.12
32	1	HP286819	Modular Screen (not shown)
33	1	02224	Stack Weight 4 x 12
34	19	4005C062	Modular Screen (not shown)
35	4	PP90210	Plastic Insert 2.00 Sq X 10-14 G
36	2	BG030201	Steel Plug
37	4	JC780417	BHSCS 50-13 x 1.00
38	1	HS947700	Washer .375
39	1	01419	Stabilizer
40	1	HN784000	Hex Nut .50-13

- See Assembly Note #7.
- FOR UNITS MANUFACTURED PRIOR TO JUNE 1993, CALL 1-888-462-9239.

Assembly Notes

1. Keep all shipping packages near area of installation. Standard shipping items include:

- Assisted Chin Up/Dip Assembly - 5611-9x
- Power Assist Package - 5611-50
- Top Weight Package - 01068 (b)(6)(9)
- Weight Pack 1 - 4700S040 (b)(6)(9)
- Weight pack 2 - 4700S043 (b)(6)(9)

NOTE: x denotes specific color

2. Follow assembly guidelines listed on the 5600 Modular Center Post Assembly & Parts instruction sheet or the 5629 Tandem Center Post Assembly & Parts instruction sheet. Also refer to all the assembly notes listed below.

3. After installing weight stack, drive spirally coiled pin (item #9) into third weight plate (hole normally used for selector pin). Be sure pin is flush.

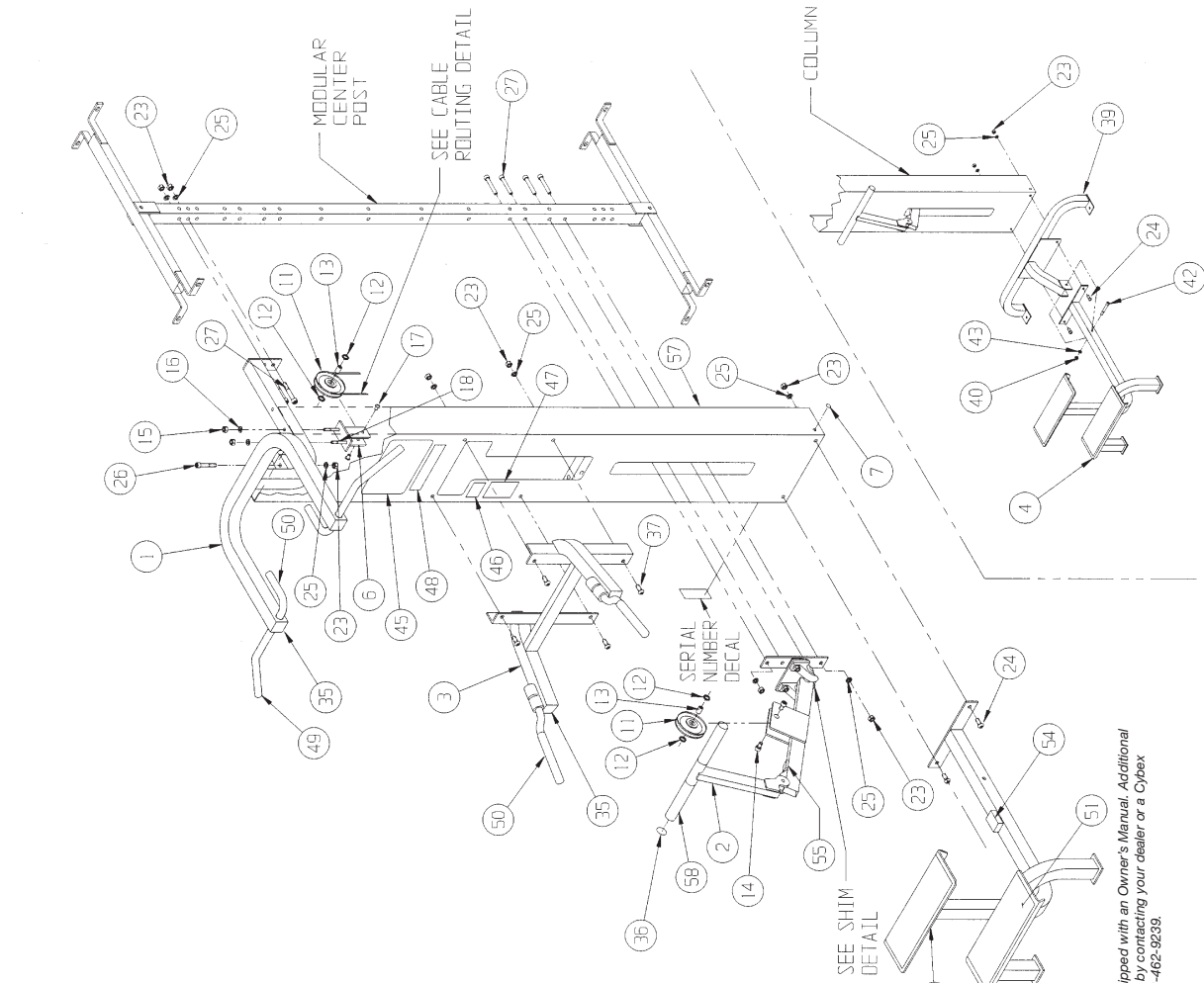
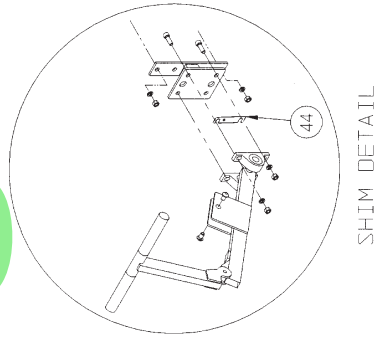
4. After pinning third weight, install foot lever assembly. Rotate lever arm 90 degrees and slide through column slot from backside of column. Pillow block covers holes 4 - 7 above crossmember.

5. Adjust cable until foot lever arm touches top of slot in column.

6. Verify weight selector pin goes through each hole in the weight stack.

7. Items 39 - 43 are required when the Assisted Chin Up/Dip station is used in Tandem configuration. See assembly guidelines listed on the 5629 Tandem Center Post Assembly & Parts instruction sheet, part number 5629.

ITEM	QTY	PART NO.	DESCRIPTION
41	1	JC782836	Removed
42	1	SHCS 50-13 x 3.25	Split Lockwasher .50
43	2	JS888300	Shim
44	2	5580-324	Placard Decal
45	1	01302	Placard Decal
46	1	4000/316	Warning Decal
47	1	02521	General Warning Decal
48	1	4806-381	Foam Grip
49	2	PF400201	Foam Grip
50	4	4055M028	Non-Slip Fabric
51	2	01186	Cable Subassembly
52	1	01167	Weight Selector Pin
53	1	5310P044	Bumper
54	1	PU060204	Weight Plate Decal
55	1	4806-515	Rubber Grip 7.75
57	2	5345-319	Rubber Grip 7.75

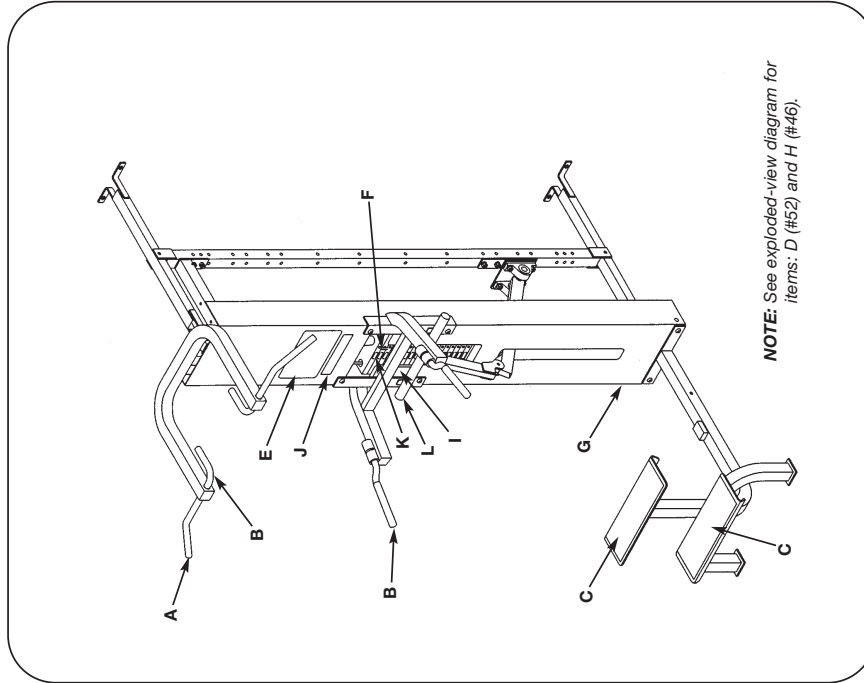


NOTE: This machine shipped with an Owner's Manual. Additional copies can be obtained by contacting your dealer or a Cytex Representative at 1-888-462-9239.

MODULAR ASSIST CHIN UP/DIP

ASSEMBLY & PARTS

5611



NOTE: See exploded-view diagram for items: D (#52) and H (#46).

DESCRIPTION	PART NO.	DESCRIPTION	PART NO.
A. Foam Grip.....	PR400201	G. Serial Number Decal	4000Y316
B. Foam Grip.....	4055M028	H. Caution Decal.....	02521
C. Non-Slip Fabric.....	01186	I. Warning Decal.....	4800-381
D. Cable Subassembly.....	01187	J. General Warning Decal.....	4800-515
E. Placard Decal.....	01302	K. Weight Plate Decal.....	5345-319
F. Weight Selector Pin.....	5310P044	L. Rubber Grip.....	5345-319

